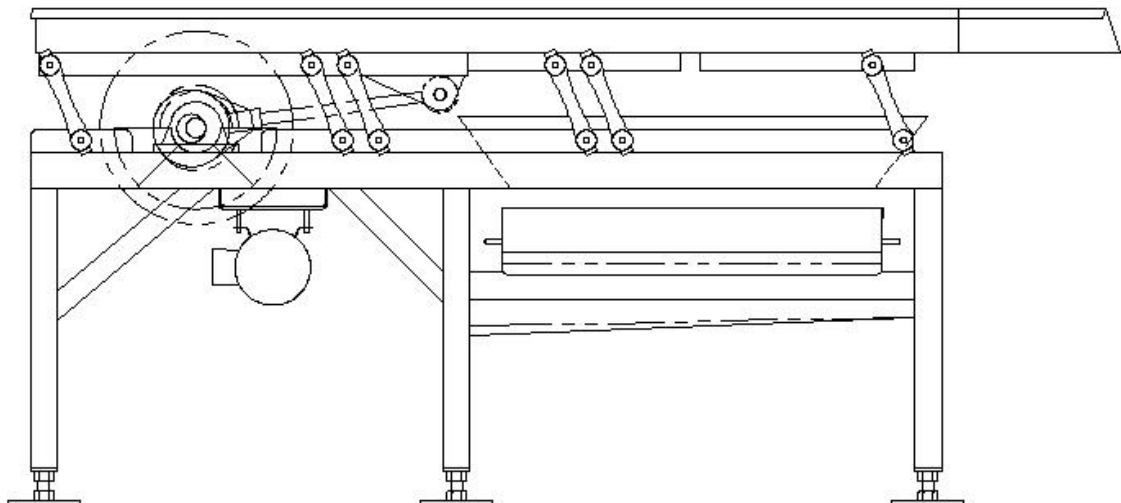
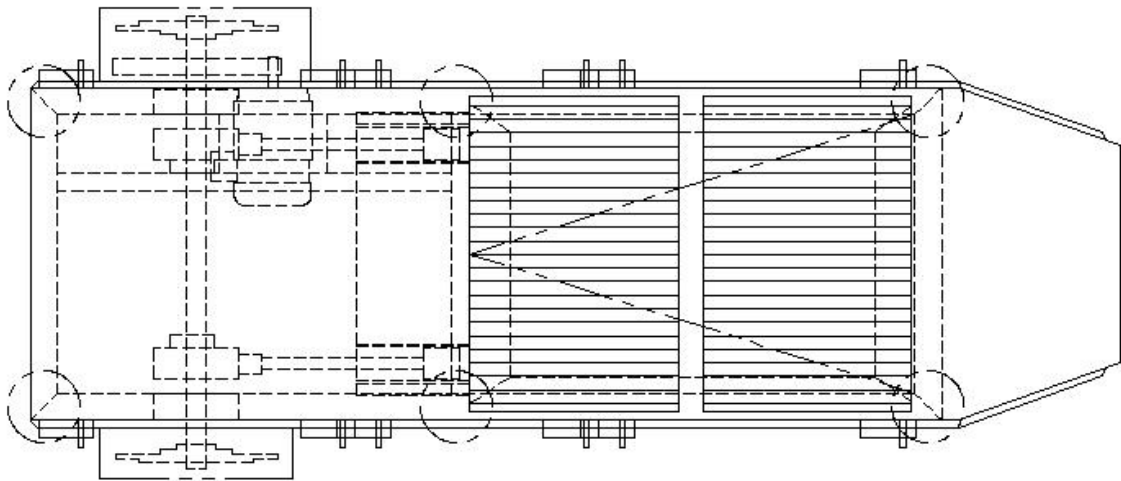




P&L SPECIALTIES

MANUFACTURING THE FINEST STAINLESS STEEL EQUIPMENT



LT2+2™ (LE TRIEUR™)
OPERATION MANUAL

SERIAL NO. _____ **DATE OF MANUFACTURE** _____

EQUIPMENT DESCRIPTION

LT2+2™ (LE TRIEUR2+2™)

The LT2+2™ is an extended version of the standard LT™ motorized sorting device. It couples increased capacity (8-10 tons/hour) with extended length offering secondary hand sorting. The sorting process allows unripened “shot” berries, stem jacks, raisins and MOG (Material Other than Grape) to pass through a wedge wire sorting screen. LT2+2’s™ gentle shaking motion then allows the whole, ripe berries to easily pass on to the next stage.

This device can be integrated into the sorting system underneath or downstream from the destemmer and dramatically reduces the labor required for post destemmer sorting.

The LT2+2™ features include: all stainless steel construction for ease of cleaning, a programmable VFD (Variable Frequency Drive) for a complete range of speed control, a remote pendant control, removable directional wedge wire sorting screens, a removable MOG collector and an integrated juice pan.



INSTALLATION AND INITIAL START UP

WARNING

Prior to start up, disconnect the power to the unit and inspect the inside of the control panel for accumulated water or moisture. Ensure that the desiccant packs are dry and that all components are free from electrical short circuit. NEVER open the panel with the unit connected to power.

1. Visually inspect the unit for any signs of damage, cracks, fatigue or loose components. Any damaged components should be repaired or replaced immediately. See P&L Specialties' contact information on the last page of this manual.
2. Position and level the unit to ensure safe and stable operation.
3. Connect the unit to the appropriate power source (voltage/phase).
4. Set the ON/OFF switch to the ON position.
5. Set the START/STOP switch to the START position and slowly increase the speed.
6. Adjust the speed control so that the unit is operating properly.

OPERATION

WARNING

Always ensure that ALL personnel are free and clear of the equipment prior to and during operation. Always power down and let the unit come to full and complete stop then disconnect the power prior to performing service or maintenance on the unit.

Adjust the speed control as needed to increase or decrease the flow of berries.

The MOG basket is designed to be emptied from an integrated open side with the use of a scraper. However it can be removed by carefully sliding it out to one side, discarding the contents and then repositioning the basket, being sure the basket makes contact with the keepers.

SERVICE AND MAINTENANCE

WARNING

Always ensure that ALL personnel are free and clear of the equipment prior to and during operation. Always power down and let the unit come to full and complete stop then disconnect the power prior to performing service or maintenance on the unit.

WARNING

Never power wash the control panel or pendant control.

Visually inspect the unit daily for any signs of damage, cracks, fatigue or loose components. Any damaged components should be repaired or replaced immediately. See P&L Specialties contact information on the last page of this manual.

Daily remove any accumulated or loose material from the unit.

Monthly lubricate ALL bearings using Shell Alvania EP2 (NLGI #2) or equivalent grease.

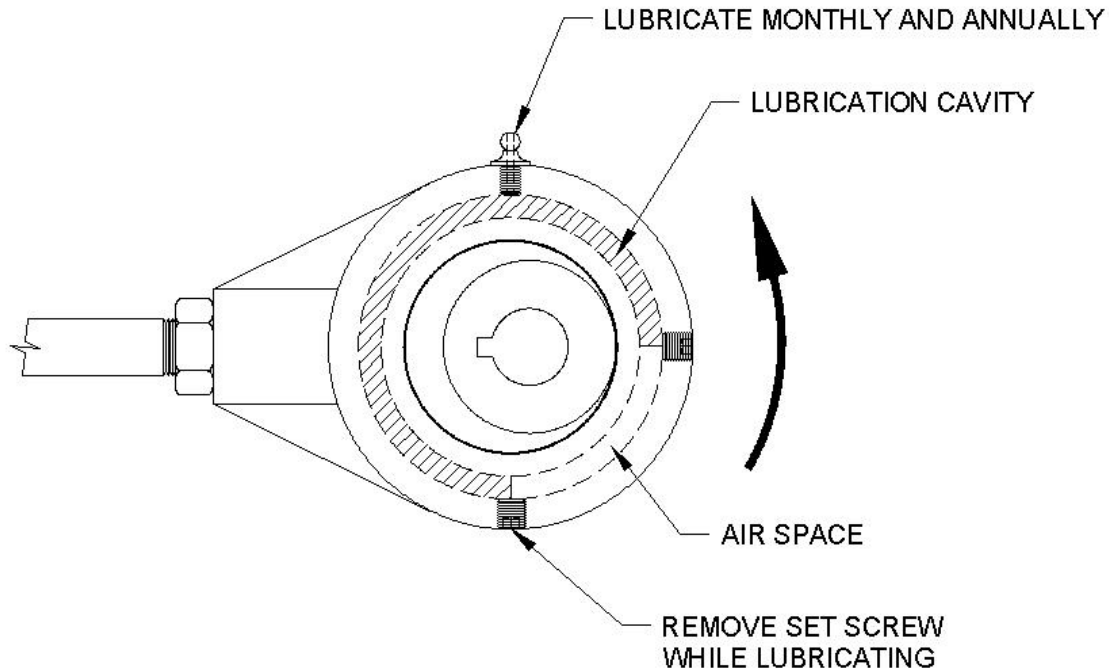
ECCENTRIC BEARING MAINTENANCE

Monthly lubricate the eccentric bearing using Shell Alvania EP2 (NLGI #2) or equivalent grease.

1. Remove the safety cover.
2. Add a small amount (1 oz.) of lubricant at the grease fitting. Applying too much lubricant in the bearing will cause the bearing to overheat and cause more damage than applying too little.
3. Reinstall the safety cover.

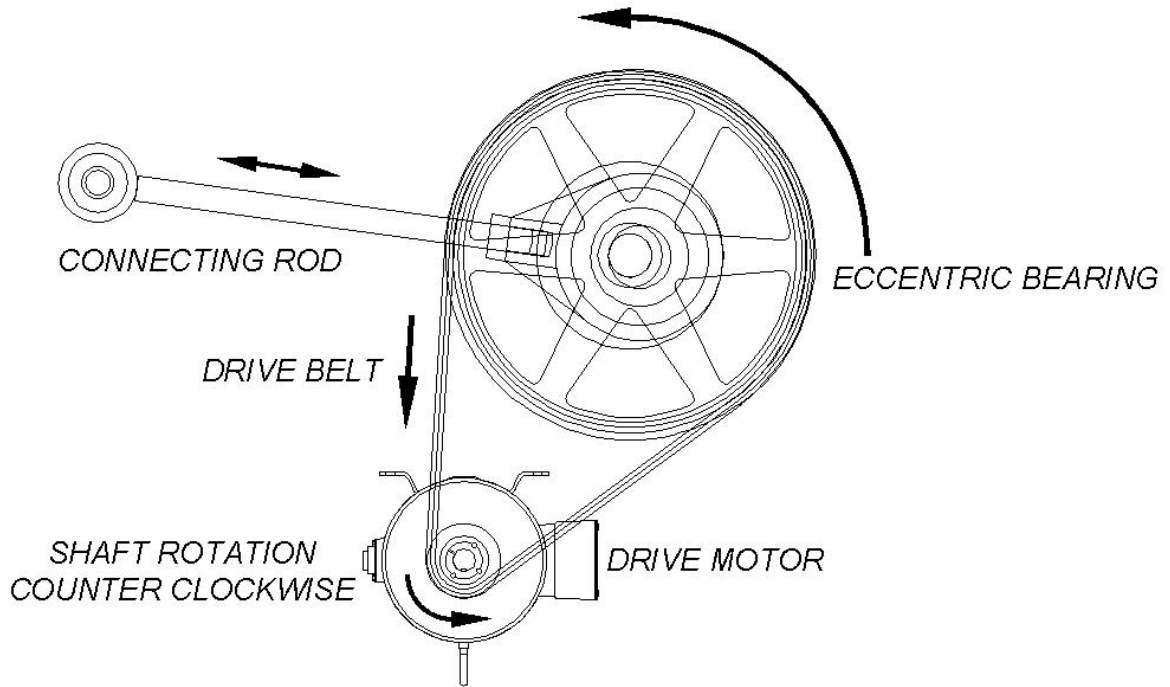
At the end of the season it is recommended that a large amount of lubricant be pumped through the bearings' felt seal to force out any water that may have been forced in by the cleaning process.

1. Remove the bottom set screw and pump the lubricant in until clean lubricant discharges through the lower set screw opening.
2. Carefully remove a small amount of lubricant using a sump gun to create a space for expansion when the bearing becomes heated.
3. Reinstall and tighten the set screw.
4. Reinstall the safety cover.



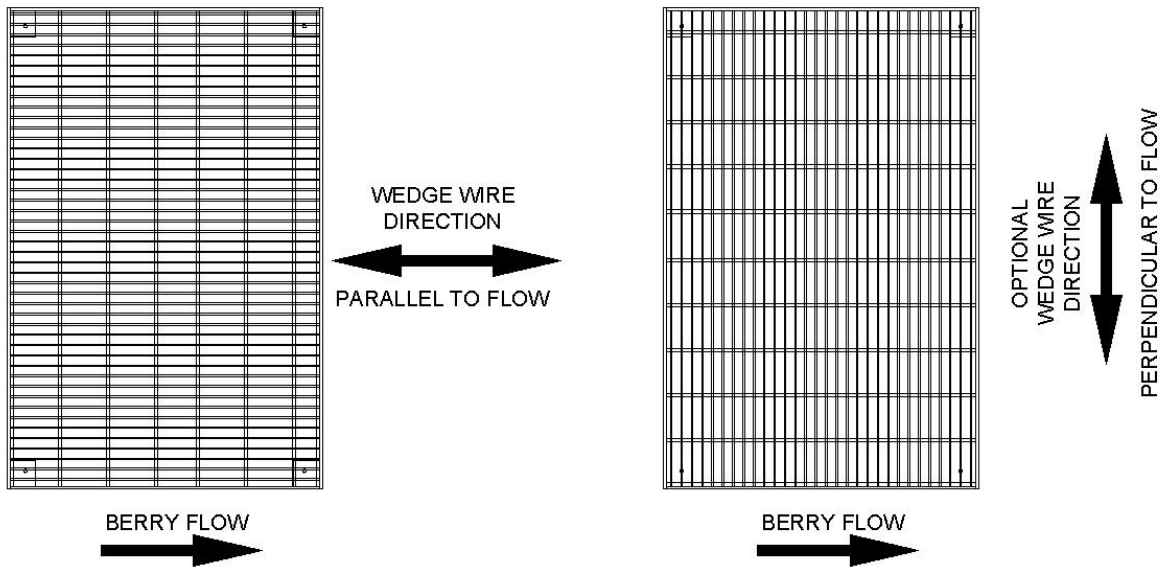
The function of the unit is designed specifically to provide maximum separation of berries and MOG. If the performance is poor then it may become necessary to ensure that the motor and eccentric bearing are rotating in the proper direction.

To do so remove the drive belt cover and verify by referring to the figure below.



If the rotation is not as indicated, correct by swapping the two power leads at the drive motor junction box.

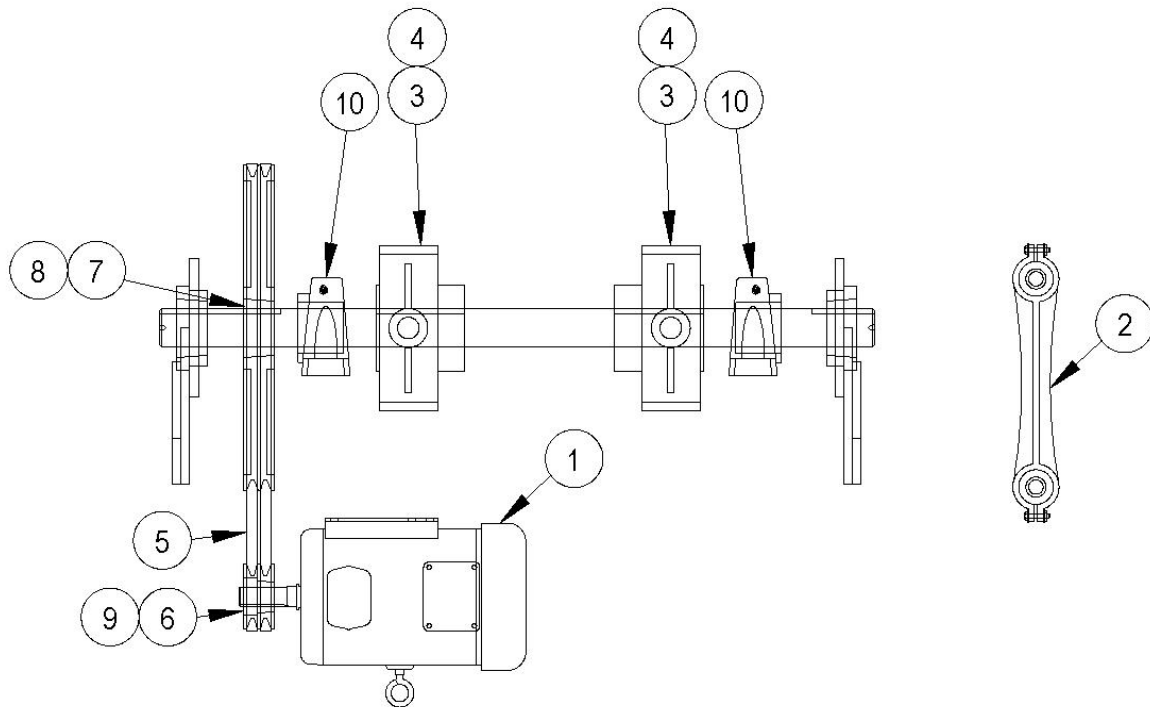
Each unit is equipped with two (2) wedge wire sorting screens, either the standard of two screens parallel to the flow of berries, or, optionally, two screens perpendicular to the flow of berries. Each changes the characteristics of the sortation process.



To change the screens:

1. Disconnect the power to the unit
2. Remove the four (4) brass wing nuts on the bottom side of each screen
3. Lift the screen up and out from the top side of the pan
4. Insert the new screen
5. Replace and tighten the wing nuts

SPARE PARTS LIST



ITEM 1

Drive Motor - 5 HP - 1750 RPM – 1 1/8" diameter shaft - 184T frame - mounting position = F1 – 3 Phase, 208-230/460 Volt

ITEM 2

Shaker Hangers - 9" long

ITEM 3

Eccentric Bearing – 1/2" throw - 1" travel – 2-3/16" shaft

ITEM 4

Connecting Rod with bushing – 1-1/4" diameter rod - 23" long rod

ITEM 5

V-Belt – datum length 70.8" S-L Classic

ITEM 6

Taper Lock Integral Key Type Bushing – 1-1/8" bore

ITEM 7

Taper Lock Keyway Type Bushing – 2-3/16" bore

ITEM 8

Pulley 18.75" OD – 2 groove Type C3

ITEM 9

Pulley 3.75" OD – 2 groove Type A1

ITEM 10

Pillow Block Bearing – 2-3/16" diameter bore – D LOK ball – normal duty

ITEM 11 (Not pictured)

VFD Control Panel with 4 Button Pendant Control and 15'-0" cable NEMA 4X
- 5 HP - MC series



P&L SPECIALTIES

MANUFACTURING THE FINEST STAINLESS STEEL EQUIPMENT

Mailing Address - 1650 Almar Parkway, Santa Rosa, CA 95403

Phone - (707) 573-3141

Fax - (707) 573-3140

Toll Free - (888) 313-7947

E-mail - sales@pnlspecialties.com